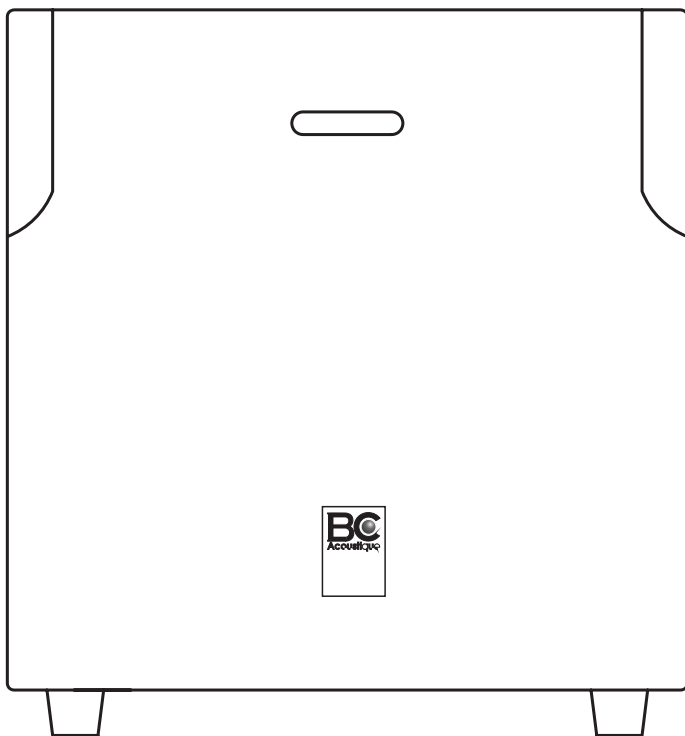


BC

Acoustique





Introduction

Congratulations on Your Purchase!

Your new BC Sevan subwoofer is designed to deliver maximum enjoyment and years of trouble free service. Please take a few moments to read this manual thoroughly. It will explain the features and operation of your unit and help ensure a trouble free installation. Please unpack your unit carefully. We recommend that you save the carton and packing material. They will be helpful if you ever need to move your unit and may be required if you ever need to return it for service. Your unit is designed to be placed in a horizontal position and it is important to allow at least 10 cm of space behind your unit for adequate ventilation and cabling convenience.

To avoid damage, never place the unit near radiators, in front of heating vents, in direct sunlight, or in excessively humid or dusty locations. Connect your complementary components as illustrated in the following section.

	CAUTION RISK OF ELECTRIC SHOCK DO NOT OPEN	
CAUTION : TO REDUCE THE RISK OF ELECTRIC SHOCK, DO NOT REMOVE COVER (OR BACK). NO USER-SERVICEABLE PARTS INSIDE. REFER SERVICING TO QUALIFIED SERVICE PERSONNEL.		



This symbol is intended to alert the user to the presence of uninsulated "dangerous voltage" within the product's enclosure that may be of sufficient magnitude to constitute a risk of electric shock to persons.



This symbol is intended to alert the user to the presence of important operating and maintenance (servicing) instructions in the literature accompanying the appliance.

WARNING

To reduce the risk of fire or electric shock, do not expose this appliance to rain or moisture.

If you hear distortion (i.e. unnatural, intermittent tapping or hammering) reduce the volume level immediately.

Extremely loud playing of a low frequency soundtrack, bass-heavy or similarly loud music passages can damage this speaker system.

CAUTION: Any changes or modifications in construction of this device which are not expressly approved by the party responsible for compliance could void the user's authority to operate the equipment.

Caution regarding placement (Except for U.S.A. and Canada)

To maintain proper ventilation, be sure to leave a space around the unit (from the largest outer dimensions including projections) equal to, or greater than, shown below.



Left and right panels: 5 cm
Rear panel: 10 cm
Top panel: 20 cm

FOR CHINA, AUSTRALIA & NEW ZEALAND..... 230V~250V

FOR YOUR SAFETY

Units shipped to China are designed for operation on 220 V AC only.

Units shipped to Australia and New Zealand are designed for operation on ~240 V AC only.

To ensure safe operation, the three-pin plug supplied must be inserted only into a standard three-pin power point which is effectively earthed through the normal household wiring. Extension cords used with the equipment must be three-core and be correctly wired to provide connection to earth.

Improper extension cords are a major cause of fatalities. The fact that the equipment operates satisfactorily does not imply that the power point is earthed and that the installation is completely safe. For your safety, if in any doubt about the effective earthing of the power point, consult a qualified electrician.

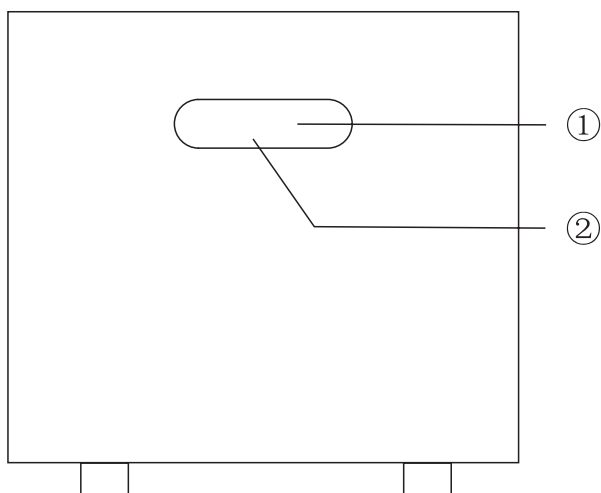
PAN-EUROPEAN UNIFIED VOLTAGE

All units are suitable for use on supplies 230~250V AC.

Caution!

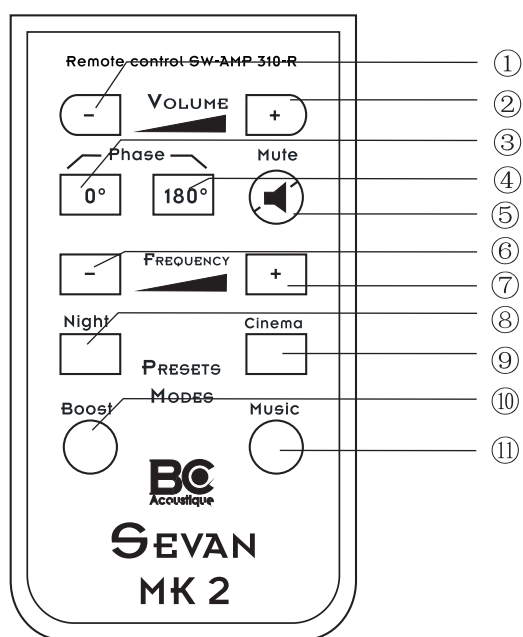
Do not block ventilation openings or stack other equipment on the top.

Function instruction on the panel



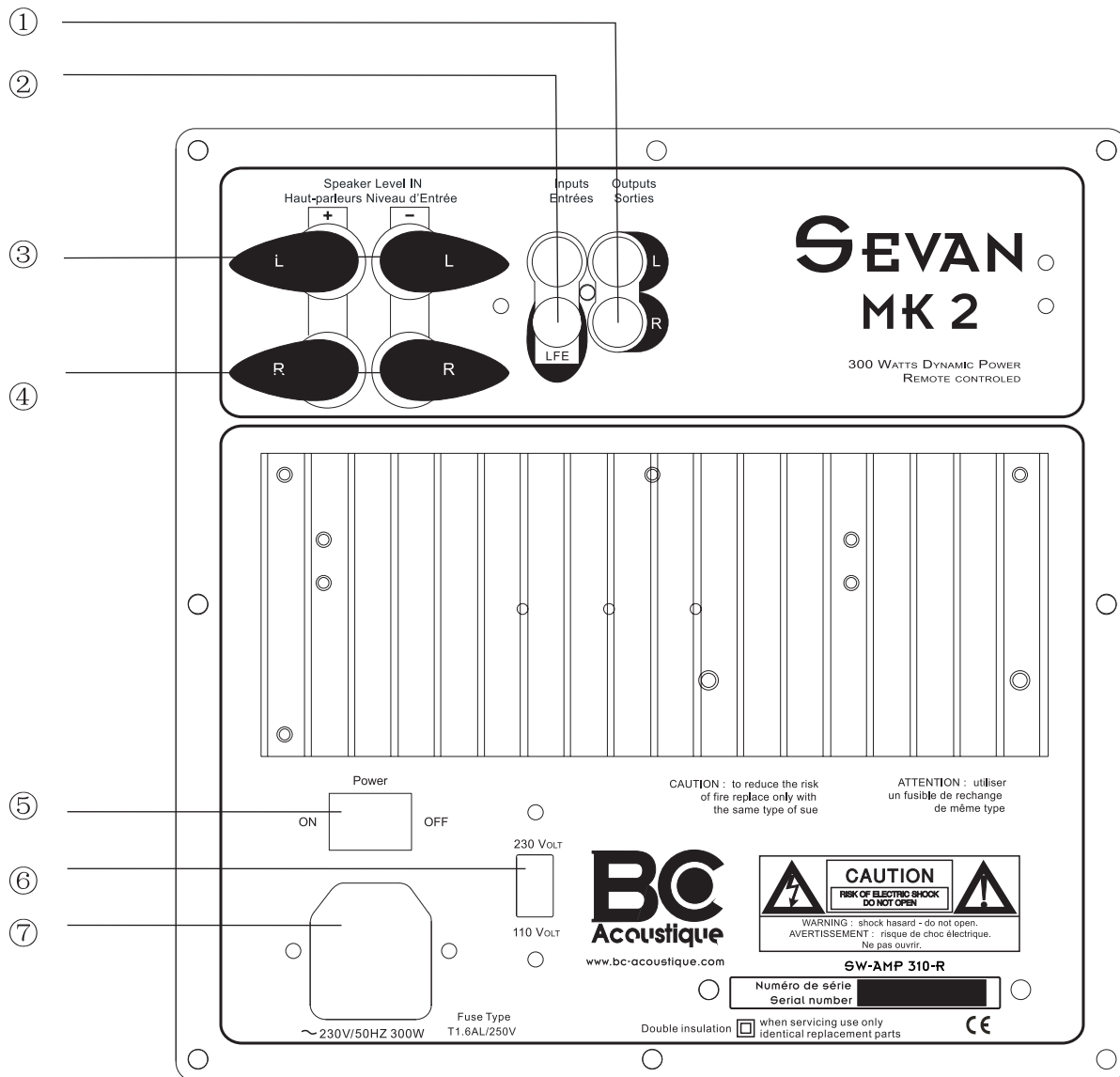
- ① Remote receiver.
- ② LED indicator light.

remote control instruction



- ① Volume down.
- ② Volume up.
- ③ 0 degree phase selection.
- ④ 180 degree phase selection.
- ⑤ Mute.
- ⑥ Crossover point selection down.
- ⑦ Crossover point selection up.
- ⑧ "NIGHT" NIGHT mode.
- ⑨ "CINEMA" CINEMA mode.
- ⑩ "BOOST" BOOST mode.
- ⑪ "MUSIC" MUSIC mode.

function instruction on the rear panel



- ① ----- Low level output terminal.
- ② ----- Low level input terminal.
- ③ ----- High level left channel input terminal.
- ④ ----- High level right channel input terminal.
- ⑤ ----- Power switch.
- ⑥ ----- 230V/110V voltage switch.
- ⑦ ----- Power input socket.

Troubleshooting Guide

If a fault occurs, run through the table below before taking your subwoofer for repair.

If the fault persists, attempt to solve it by switching the subwoofer off and on again. If this fails to resolve the situation, consult your dealer. Under no circumstances should you repair the subwoofer yourself as this could invalidate the warranty.

PROBLEM	POSSIBLE CAUSE	REMEDY
No power	<ul style="list-style-type: none"> The AC input cord is disconnected. Poor connection at AC wall outlet or the outlet is inactive. 	<ul style="list-style-type: none"> Connect the cord securely. Check the outlet using a lamp or another appliance.
No sound	<ul style="list-style-type: none"> The speaker cords are disconnected. The volume is adjusted too low. The MUTE button on the remote control is pressed to ON. The line input lead is not connected. The subwoofer power is off. The amp/receiver sub settings are wrong. 	<ul style="list-style-type: none"> Check the speaker connections. Adjust the volume. Press the MUTE button to cancel the muting effect. Reconnect the line input lead. Check the power switch on the rear of the unit. Adjust the subwoofer level on the amp/receiver.
Dual Subwoofer Problem	<ul style="list-style-type: none"> The subwoofer link is not connected. The sound is uneven, distorted or muffled. 	<ul style="list-style-type: none"> Make connections correctly. Check the settings on each subwoofer match. Check and adjust the phase settings.
General	<ul style="list-style-type: none"> Leads and accessories. No bass level from the source software. 	<ul style="list-style-type: none"> Substitute the leads for known good leads. Run the amp/receiver test tone signals.

Specifications

■ AMPLIFIER SECTION

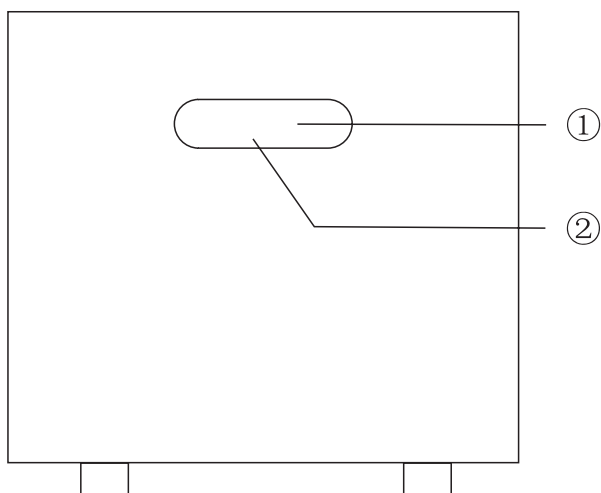
- System Power (Peak) 300 W
- Type Tuned Port, Forward Firing Driver
- Driver Size 254 mm (10")
- Frequency Response 30 Hz - 300 Hz
- Frequency Crossover Adjustment 40 Hz - 200 Hz
- Phase Adjustment 0 - 180°

■ GENERAL

- Power Supply AC ~230V, 50 Hz
- Power Consumption 300w
- Dimensions (W×H×D) 300 x 350 x 300mm
- Weight (Net) 17 kg

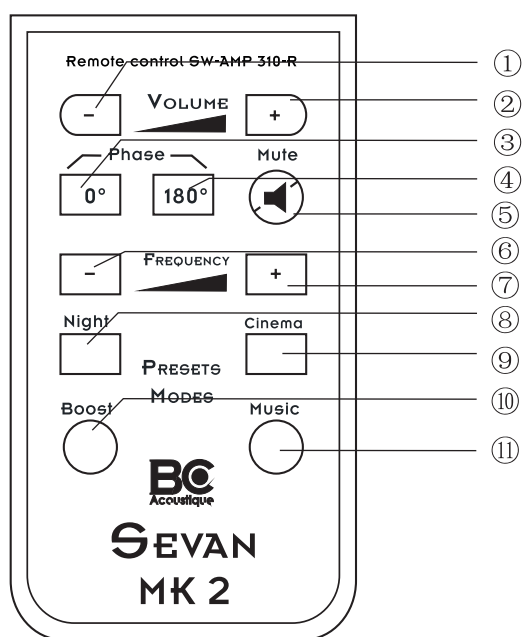
Design and specifications are subject to change without notice for improvements.

Function instruction on the panel



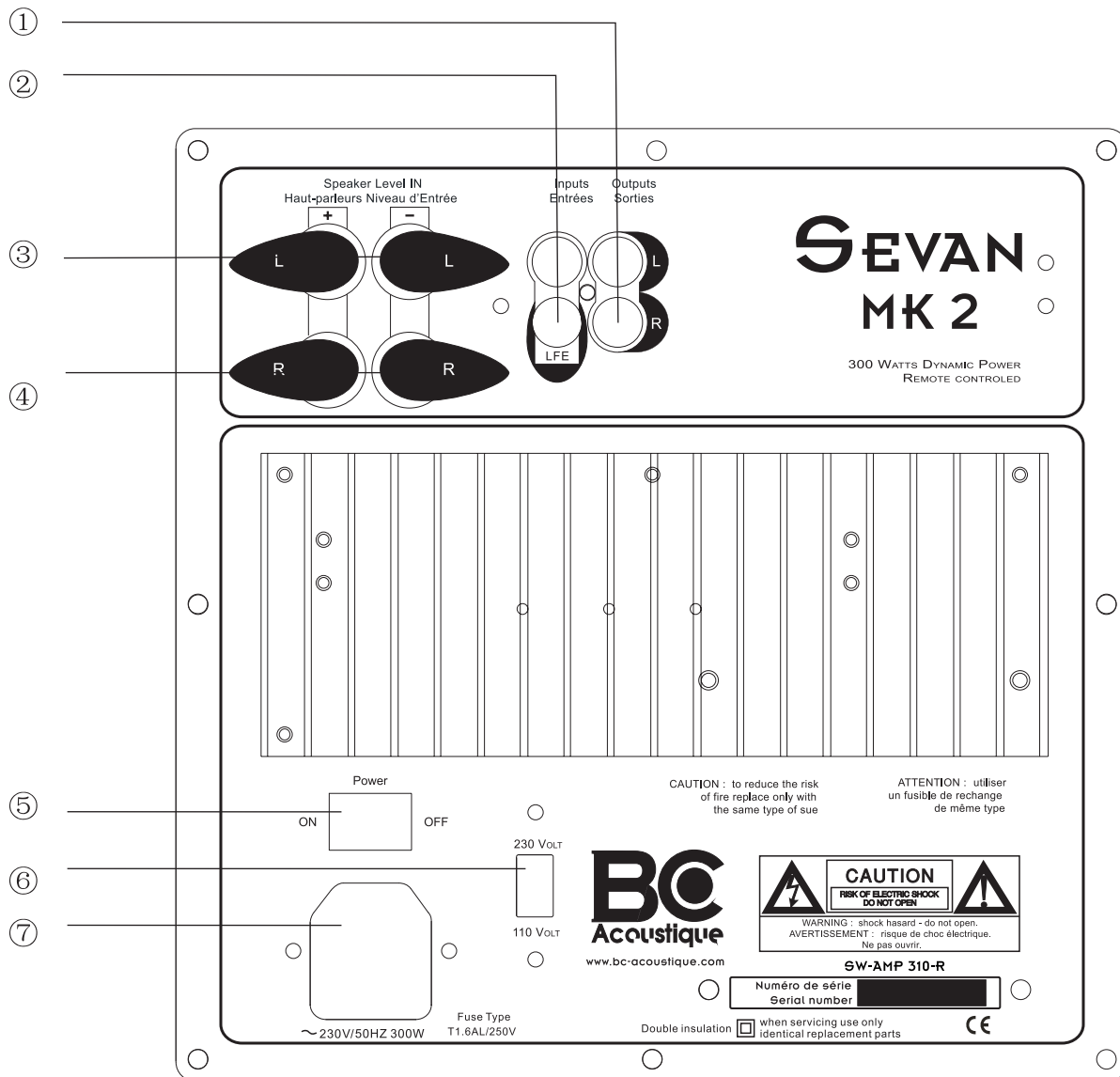
- ① Remote receiver.
- ② LED indicator light.

remote control instruction



- ① Volume down.
- ② Volume up.
- ③ 0 degree phase selection.
- ④ 180 degree phase selection.
- ⑤ Mute.
- ⑥ Crossover point selection down.
- ⑦ Crossover point selection up.
- ⑧ "NIGHT" NIGHT mode.
- ⑨ "CINEMA" CINEMA mode.
- ⑩ "BOOST" BOOST mode.
- ⑪ "MUSIC" MUSIC mode.

function instruction on the rear panel





- ① ----- Low level output terminal.
- ② ----- Low level input terminal.
- ③ ----- High level left channel input terminal.
- ④ ----- High level right channel input terminal.
- ⑤ ----- Power switch.
- ⑥ ----- 230V/110V voltage switch.
- ⑦ ----- Power input socket.

Introduction

Congratulations on Your Purchase!

Your new BC Sevan subwoofer is designed to deliver maximum enjoyment and years of trouble free service. Please take a few moments to read this manual thoroughly. It will explain the features and operation of your unit and help ensure a trouble free installation. Please unpack your unit carefully. We recommend that you save the carton and packing material. They will be helpful if you ever need to move your unit and may be required if you ever need to return it for service. Your unit is designed to be placed in a horizontal position and it is important to allow at least 10 cm of space behind your unit for adequate ventilation and cabling convenience.

To avoid damage, never place the unit near radiators, in front of heating vents, in direct sunlight, or in excessively humid or dusty locations. Connect your complementary components as illustrated in the following section.

	CAUTION RISK OF ELECTRIC SHOCK DO NOT OPEN	
CAUTION : TO REDUCE THE RISK OF ELECTRIC SHOCK, DO NOT REMOVE COVER (OR BACK). NO USER-SERVICEABLE PARTS INSIDE. REFER SERVICING TO QUALIFIED SERVICE PERSONNEL.		



This symbol is intended to alert the user to the presence of uninsulated "dangerous voltage" within the product's enclosure that may be of sufficient magnitude to constitute a risk of electric shock to persons.



This symbol is intended to alert the user to the presence of important operating and maintenance (servicing) instructions in the literature accompanying the appliance.

WARNING

To reduce the risk of fire or electric shock, do not expose this appliance to rain or moisture.

If you hear distortion (i.e. unnatural, intermittent tapping or hammering) reduce the volume level immediately.

Extremely loud playing of a low frequency soundtrack, bass-heavy or similarly loud music passages can damage this speaker system.

CAUTION: Any changes or modifications in construction of this device which are not expressly approved by the party responsible for compliance could void the user's authority to operate the equipment.

Caution regarding placement (Except for U.S.A. and Canada)

To maintain proper ventilation, be sure to leave a space around the unit (from the largest outer dimensions including projections) equal to, or greater than, shown below.



Left and right panels: 5 cm
Rear panel: 10 cm
Top panel: 20 cm

FOR CHINA, AUSTRALIA & NEW ZEALAND..... 230V~250V

FOR YOUR SAFETY

Units shipped to China are designed for operation on 220 V AC only.

Units shipped to Australia and New Zealand are designed for operation on ~240 V AC only.

To ensure safe operation, the three-pin plug supplied must be inserted only into a standard three-pin power point which is effectively earthed through the normal household wiring. Extension cords used with the equipment must be three-core and be correctly wired to provide connection to earth.

Improper extension cords are a major cause of fatalities. The fact that the equipment operates satisfactorily does not imply that the power point is earthed and that the installation is completely safe. For your safety, if in any doubt about the effective earthing of the power point, consult a qualified electrician.

PAN-EUROPEAN UNIFIED VOLTAGE

All units are suitable for use on supplies 230~250V AC.

Caution!

Do not block ventilation openings or stack other equipment on the top.

Troubleshooting Guide

If a fault occurs, run through the table below before taking your subwoofer for repair.

If the fault persists, attempt to solve it by switching the subwoofer off and on again. If this fails to resolve the situation, consult your dealer. Under no circumstances should you repair the subwoofer yourself as this could invalidate the warranty.

PROBLEM	POSSIBLE CAUSE	REMEDY
No power	<ul style="list-style-type: none"> The AC input cord is disconnected. Poor connection at AC wall outlet or the outlet is inactive. 	<ul style="list-style-type: none"> Connect the cord securely. Check the outlet using a lamp or another appliance.
No sound	<ul style="list-style-type: none"> The speaker cords are disconnected. The volume is adjusted too low. The MUTE button on the remote control is pressed to ON. The line input lead is not connected. The subwoofer power is off. The amp/receiver sub settings are wrong. 	<ul style="list-style-type: none"> Check the speaker connections. Adjust the volume. Press the MUTE button to cancel the muting effect. Reconnect the line input lead. Check the power switch on the rear of the unit. Adjust the subwoofer level on the amp/receiver.
Dual Subwoofer Problem	<ul style="list-style-type: none"> The subwoofer link is not connected. The sound is uneven, distorted or muffled. 	<ul style="list-style-type: none"> Make connections correctly. Check the settings on each subwoofer match. Check and adjust the phase settings.
General	<ul style="list-style-type: none"> Leads and accessories. No bass level from the source software. 	<ul style="list-style-type: none"> Substitute the leads for known good leads. Run the amp/receiver test tone signals.

Specifications

■ AMPLIFIER SECTION

- System Power (Peak) 300 W
- Type Tuned Port, Forward Firing Driver
- Driver Size 254 mm (10")
- Frequency Response 30 Hz - 300 Hz
- Frequency Crossover Adjustment 40 Hz - 200 Hz
- Phase Adjustment 0 - 180°

■ GENERAL

- Power Supply AC ~230V, 50 Hz
- Power Consumption 300w
- Dimensions (W×H×D) 300 x 350 x 300mm
- Weight (Net) 17 kg

Design and specifications are subject to change without notice for improvements.